



iLaserBox 450

COMPACT LASER MARKING WORKSTATION

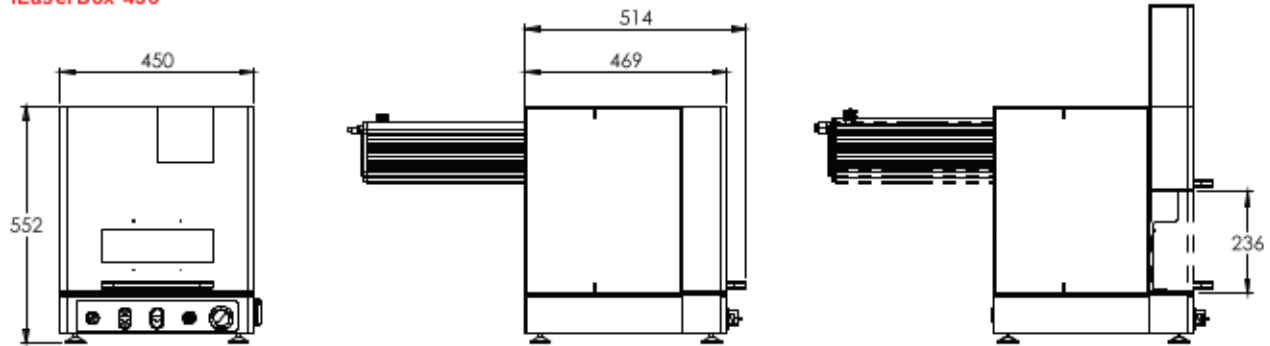


iLaserBox 450 by **MACSA**
Complete. Compact. Affordable.

Macsa id
a code you can trust



iLaserBox 450



Wavelength	1.064nm / 9.3 μm / 10.2 μm / 10.6 μm	
Main power supply unit	115v - 240v 50/60 HZ	
	Typical	
	6A + Laser System Consumption	
System Dimensions (Length x width x height)	517 mm x 450 mm x 552/789 mm	
Max. Component Size (Length x width x height)(*)	264 mm x 350 mm x 160 mm (*)	
Weight	89 Kg	
Laser Systems	iCON Series K-1000 Series F-9000 Series D-5000 Series NANO D Series	Not compatible 10w, 30w 10w, 20w, 30w, 50w 6w, 10w, 20w 5w & 10w Green 6w-20w
Accessories / Options		
Internal Light	Included	
Fume Extractor Hoose	Included	
Manual Door	Included	
Automatic Door	Not available	
Powered Z Axis	Included	
Programmable Z Axis	Not available	
Removable Side Panel	Not available	
Vision System	Optional	
Rotary Axis	Not available	
XY Axis	Not available	

Version MARCH2018

* Maximum height of the component will depend on the used lens. Indicated Height value is referred to the distance from the base of the marking table to the bottom of the laser system. In order to get the real maximum height, Lens Working Distance value should be subtracted.

Coding, tracing and marking solutions worldwide



Macsa id
a code you can trust

T. 93 873 87 98
macsa@macsa.com
www.macsa.com



Macsa ID Headquarter
P.L. Pla de Santa Anna
08272 Sant Fruitós de
Bages (Barcelona)
Tel: +34 938 738 798
Spain

Macsa ID UK
13d Old Bridge Way
Sheffield
Bedfordshire
SG1 7SHQ
+44 (0)1462 81 6091
UK

Macsa ID Portugal
Rua Eng. Frederico Ulrich n. 2650.
4470 - 605 Moreira Maia
Tel: +351 229962 204
Portugal

Macsa ID Malaysia
E-8-03, The Gamuda Biz Suites
No.12, Jalan Anggerik Vanilla 31/99,
Kota Kemuning,
40460 Shah Alam
Selangor
Malaysia

Macsa Coding Technology (shenzhen) Co, Ltd
East side of 2/F, 7 Building
Lijincheng Technology Industry Park
Jihua Road
Longhua Street, Longhua District
518100 Shenzhen
Tel: +86 0755-23611591
China